



Order Line 0330 123 4123

0

I'm looking for.... Enter item name, product code or brand

Customer Services

Sign In or Register

Your Basket

Shop

Kitchens

Help & Advice

Offers

Store Locator

[Home](#) > [How to create storage space in your loft](#)

Insulation

Project Insulation

Plan your project

Loft insulation guide

Loft storage guide

Project Insulation FAQ's

Insulation Range

Loft Insulation

Insulation Boards

Cavity Wall Insulation

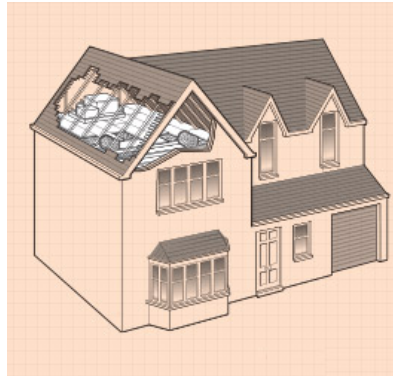
Acrylic Sheets

Pipe Lagging & Jackets

Draught Excluders

Insulation Fixings

Loft Ladders



How to create storage space

STORAGE PROJECT CHECKLIST

MATERIALS

- Loft storage panels
- Ultra gold screws 4.0 x 30mm
- Loft Legs

TOOLS

- Cordless drill driver
- Portable worklight & extension cable

SAFETY EQUIPMENT

- Insulation mask
- Gloves
- Knee pads

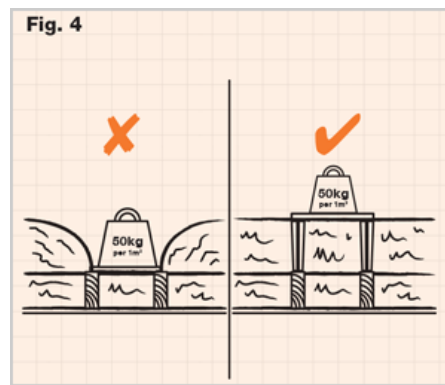


Ensure the loft is well lit and use suitable crawling boards spanning at least three joists to stand on (loft panels are ideal). Only stand on the joists if you have to, but never in between them. Always wear a mask and gloves when working with loft insulation.

Calculating your materials

Size of storage area	5m ² Approx. area of a kingsize bed		10m ² Approx. area of a transit van		15m ² Approx. area of a single garage	
	400mm	600mm	400mm	600mm	400mm	600mm
Distance between joists	400mm	600mm	400mm	600mm	400mm	600mm
Loft Storage Panels Pack of 3 (1.17m ²)	5	5	9	9	13	13
Ultra Gold Screws 4.0 x 30mm Pack of 200	3	2	3	3	5	3
Loft Legs Pack of 12	6	4	9	7	12	9

Creating a storage area in your loft is an inexpensive and straightforward project. Loft Legs allow loft panels to be raised above the loft insulation which avoids compressing it and reducing its effectiveness (See Fig. 4).

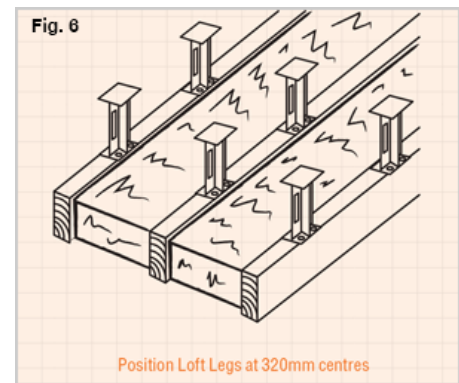
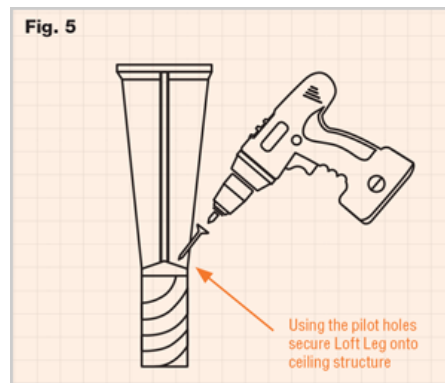


Remove any objects in the loft

If there is a top layer of insulation already installed, roll it back to expose the ceiling joists.

Install the loft legs (Fig. 5 and 6)

Loft Leg, secure the Loft Legs to the ceiling joists using 4.0 x 30mm screws (4 screws per leg). There is no need to pre-drill holes.

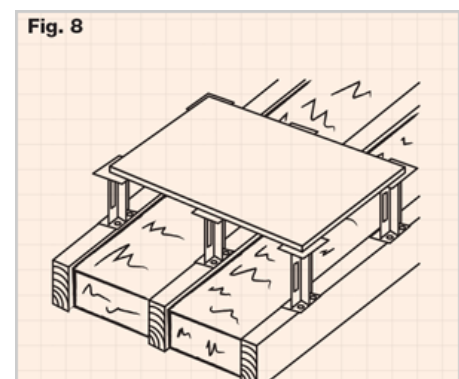
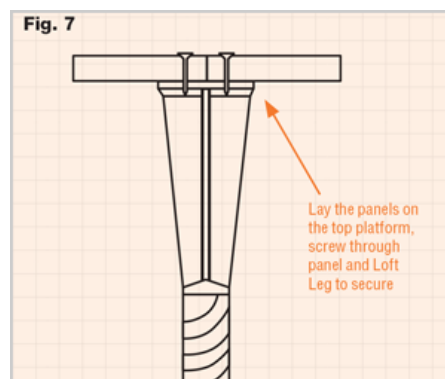


Install the top layer of loft insulation (Fig. 7)

Roll the 170mm insulation back over the loft and in-between the Loft Legs. A small vertical slit in the roll will allow for a better fit around the legs.

Install the loft panels (Fig. 8)

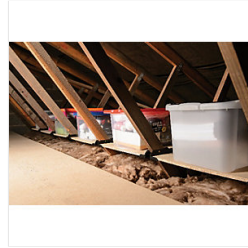
Lay the loft panels on top of the Loft Legs at 90 degrees to the direction of the ceiling joists, securing them with the same screws (4.0 x 30mm).



TRADE TIP

Do not overload your new storage area. The maximum static weight loading for a storage platform supported by Loft Legs is 50kg per square metre. However Loft Legs can support the temporary weight of an adult walking on the loft panels. Ceiling joists or trusses are normally designed for light domestic storage. It is the installer's responsibility to ensure that the existing ceiling structure and the new timber storage deck are capable of taking the necessary loads.

You recently viewed



NEVER MISS A DEAL
Sign up for weekly offers



Follow us on:



Customer Services

- [Get In Touch](#)
- [Delivery Information](#)
- [Our Price Promise](#)
- [Returns & Refunds](#)
- [Frequently Asked Questions](#)
- [Customer Reviews](#)

Shopping at Wickes

- [Order by Phone](#)
- [Gift Cards](#)
- [Brands](#)
- [Security Online](#)
- [Privacy Policy](#)
- [Terms and Conditions](#)
- [Site Map](#)
- [Cookies](#)

Help & Advice

- [How To Guides](#)
- [How To Videos](#)
- [FREE Design Consultancy](#)
- [Order a Wickes Catalogue](#)
- [Find a Builder](#)
- [Tool Hire](#)
- [Brochures](#)

Buying Guides

- [Folding Patio Doors](#)
- [French Doors](#)
- [Conservatories](#)
- [Scruffs Workwear](#)
- [Makita Power Tools](#)
- [Windows](#)
- [Sliding Wardrobe Doors](#)
- [Garden Ideas](#)

Company Information

- [Company History](#)
- [Wickes & the Environment](#)
- [Become a Wickes Affiliate](#)
- [Wickes Preferred Partners](#)
- [Careers at Wickes](#)
- [Charity partner - Bloodwise](#)
- [Wickes for Business](#)
- [Wickes 2012 Building Trade Report](#)